

TECHNICAL DATA BROCHURE

ZTR 308/311

IMPORTANT - READ OPERATOR'S MANUAL BEFORE OPERATION OR MAKING ADJUSTMENTS.

Seat Adjustment

Loosen bolts on sliding brackets under each side of seat, slide seat forward or rearward to desired position. Re-tighten bolts. Do not operate mower with bracket bolts in a loose condition.

Mower Blade Operation

To start mower blades, move lever on floor slowly to "ON" position.

To stop mower blades, move lever on floor slowly to "OFF" position.

Body Removal

1. Disconnect throttle cable from engine. ,
2. Disconnect the rear wiring loom (P/N 4244) from the body by lightly squeezing the Econo-Seal plug. This is located at the left rear of ... the body.
3. Remove 4 control lever bolts and remove upper control levers (P/N 1689 4 1690).
4. Remove the 2 attach nuts on floor of body and unfasten latches located on each side of body at the rear.
5. Place height adjustment lever in vertical position and mower engaging lever 1n off position, and carefully lift body up and off chassis.
6. Reverse the above procedure for assembly.

Removing Mower Deck

1. Loosen belt keeper (P/N 2234) located under engine by loosening 2 rear engine mount bolts to allow mower deck drive belt to come free of rear pulley. Re-tighten belt keeper.
2. Disconnect the wiring loom at the deck safety switch (P/N 4242).
3. Remove 4 attach pins (P/N 6107) and clips from 4 mower deck attach points and 2 stabilizer bars (P/N 6159).
4. Raise front of mower chassis to allow mower deck engaging rod (P/N 2686) to clear the body. At this time, mower may be rolled free of mower deck for service and/or replacement.
5. To re-install, reverse the above procedure.

Adjustment of Mower Drive Belt & Related Safety Components (Safety Switch & Blade Brake)

1. Locate the deck safety switch (P/N 4242) so that the face of the switch body is flush with the end of mounting bracket.
2. To obtain proper belt tension, loosen locknut (P/N 3005) on end of engaging linkage rod (P/N 3607) and adjust to proper tension. Note: Tension should be checked with belt in the engaged or on position.
3. Blade brake linkage adjustment - mower drive belt must be in disengaged or off position.
4. Adjust swivel fitting (P/N 2172) located on brake linkage "L" Rod (P/N 1685) so that there is a 3/16" to 5/16" gap between the deck safety switch body (P/N 4242) and the striker plate attached to the connecting arm (P/N 2828), Note: Clutch Idler bracket (P/N 2690) must be raised so that brake link swivel (P/N 2172) can be adjusted.

Safety Checks -"Important"

1. After reassembly, while on seat, attempt to start engine with mower deck engaged. Engine should not start. If engine does start, return to an authorized Dixon dealer for adjustment or repair.
2. Disengage the mower deck and start the engine. With operator in normal mowing position, engage mower deck and remove weight from seat. The engine should stop. If engine does not stop when operator rises from seat, return to an authorized Dixon dealer for adjustment or repair.

Removing Cutter Blade

Secure mower cutter blade (P/N 2406) from turning (observe, blade position when removing) remove blade bolt from center of blade, remove blade flange (P/N 2837), blade (P/N 2406), and spacer (P/N 2829).

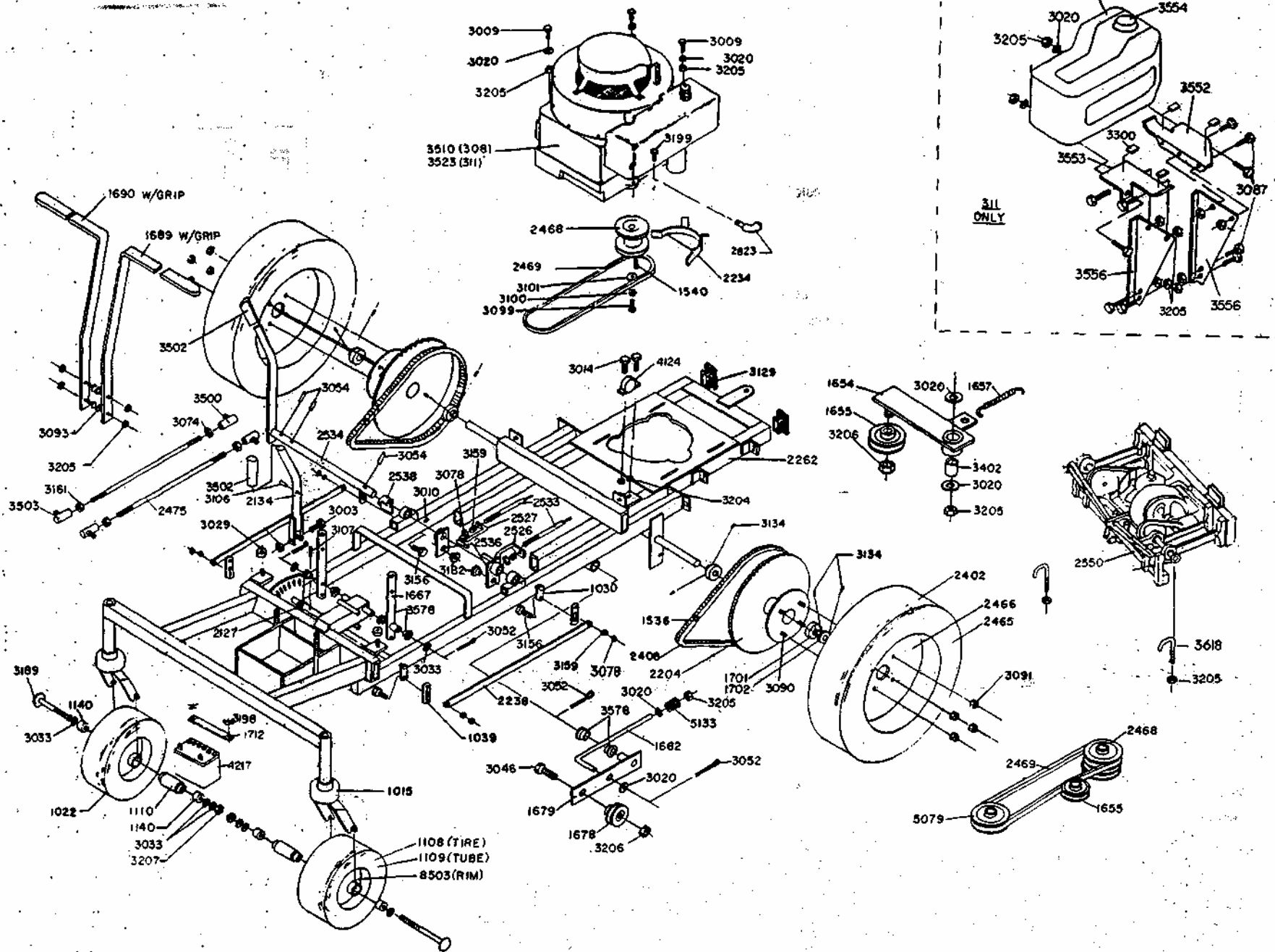
Parking Brake Adjustment

Remove body as described above. Tighten nut on brake rod (P/N 2533) (located in front of the transaxle on each side), just enough to prevent brake from slipping when engaged.

CAUTION: Over tightening may cause premature wear on brake band (P/N 5085).



<u>PART#</u>	<u>NAME</u>	<u>PART#</u>	<u>NAME</u>	<u>PART#</u>	<u>NAME</u>
1015	Caster	2823	Oil Drain Assembly	3210	3/8-24 x 1 1/2 HH Bolt Gr.5
1022	Caster Wheel 1 Tire	2827	Engaging Cam	3212	5/8 Flatwasher
1030	Upper Lift Link	2828	Connecting Arm	3300	Foam Pad (311)
1039	Lower Lift Link	2829	Spacer	3401	Tube
1046	Lift Tube - Short	2830	Belt Keeper	3402	Bronze Bushing
1108	Tire-FrontKneel	3000	5/16-24 UNC Hex Locknut	3500	Bal1 Joint/Cont.RodRH Thread
1109	Inner Tube-Front Wheel	3003	5/16-18 UNC x 1 1/2 HH Bolt	3502	Hand Grip
1110	Caster Axle Bushing	3005	5/16-18 UNC Hex Nut	3503	Ball Joint/Cont.RodLH Thread
1140	Caster Wheel Bearing	3008	1/4 ID 3/4 OD Flat Washer	3504	Double Ball Joint
1536	Chain Connecting Link	3009	5/16-18 UNC x 1 3/4 HH Bolt Gr.5	3507	Floor Pad - Long
1540	Engine Shaft Key	3010	1/2 Dia x 2 1/4 Rd. Head Rivet	3508	Floor Pad - Short
1544	Bellcrank	3014	1/4 -20 UNC x 3/4 HH Bolt Gr.5	3521	Eng. Cam Mount Bushing
1636	Bellcrank Kit	3019	5/16 Helical Lockwasher	3531	Decal-Operating Instructions
1647	Control Pin	3020	5/16 Std. Flatwasher	3536	Warning Label-Danger
1654	Transaxle Idler Bracket	3029	Front Grommet	3552	Tank Mount Bracket-Long (311)
1655	Transaxle Idler Pulley	3031	5/16-18 UNC Acorn Nut	3553	Tank Mount Bracket-Short (311)
1657	Transaxle Idler Spring	3033	1/2 SAE Flatwasher	3554	Fuel Cap/Gauge (311)
1667	Lower Control Lever	3035	1/2 -13 UNC Hex Jam Locknut	3556	Tank Support L (311)
1678	Flat Idler Pulley	3037	3/8-24 UNF x 1/4 HH Bolt Gr.5	3558	2 Gal. Tank w/cap-gauge(311)
1679	Chain Tensioned Bracket	3046	3/8-16 UNC x 2 HH Bolt	3578	Nylon Bushing
1682	"L" Rod	3047	3/8-24 UNF Hex Locknut	3585	Decal-Cutting Height
1685	"L" Rod	3052	3/32 Dia x 3/4 Cotter Pin	3586	Decal - Model (311)
1689	Upper Control Lever w/grip L	3054	3/16 01 a x 1" Roll Pin	3588	Decal-Ignition Switch
1690	Upper Contra) Lever w/grip R	3056	5/16 Fender Washer	3597	Battery Cover
1701	Bear@	3057	3/8 Std. Flatwasher	3604	Decal-Blade Drive
1702	Locking Collar	3058	1/8-2 Cotter Pin	3607	Engaging Linkage
1705	Mower Deck V-Pulley	3060	3/16 x 3/4 Roll Pin	3608	Hand Grip
1712	Battery Strap	3061	5/16-18 UNC x 3/8 Soc. Set Screw	3610	Deflector Spring
2127	Quadrant Spring	3063	#10-24 UNC x 1/4 Rd. Hd. Screw	3611	Body Latch
2134	Lift Handle	3065	3/8 Helical Lockwasher	3618	J Bolt
2154	Hub Pulley Spacer	3066	3/16 Std. Flatwasher	4009	Wire Clip
2159	Engaging Idler Spacer	3072	1/8 x 1 3/4 Hair Pin Cotter	4013	Wire Tie f<
2164	Support & Sprocket Spacer	3074	5/16-24 UNF Hex Jam Nut	4014	Seat (311)
2166	Pivot Belt	3076	3/8-24 UNF Hex Nut	4047	Seat Switch
2172	Swivel Fitting	3078	5/16-18 UNC Hex Locknut	4075	10 Amp Fuse
2203	Wheel Hub Assembly	3081	16-32 UNC Hex Nut	4092	Fuse Holder
2204	Wheel Hub	3082	#6 Lockwasher	4124	Solenoid
2234	Belt Keeper	3087	5/16-18 UNC x 3/4 HH Bolt	4146	Nylon Washer
2237	Tie Bar Assembly	3088	1/4 -20 x 1 HH Bolt Gr.5	4148	Seat Angle
2238	Tie Bar	3090	1/2 -20 UNF x 1 1/4 HH Bolt Gr.2	4197	Ignition Switch
2262	Frame	3091	1/2 -20 UNF Hex Lug Nut	4201	Switch Key for 4197
2264	Bumper	3093	5/16-18 UNC x 1 HH Bolt	4204	Flex Guard Wiring Cover
2270	Body	3098	5/16-18 x 3 HH Bolt	4211	Solenoid Starter Cable
2402	Rear Wheel & Tire	3099	7/16-20 UNF X 3/4 HH Bolt Gr.5	4216	Battery Ground Cable
2406	30" Mower Blade	3100	7/16 HD Flatwasher	4217	Battery
2408	Drive Chain Assembly	3101	7/16 Lockwasher-Helical	4230	Throttle Cable
2412	Deck Drive Belt	3103	3/8-24 x 1 HH Bolt Gr.5	4234	Battery Cable
2413	V-Idler Pulley	3105	1/4 x 1 1/4 HD Spirol Pin	4242	Deck Safety Switch
2417	Control Rod Assembly	3106	1/4 x 1 Spirol Pin HD	4243	Body Wiring Loom
2422	Name Decal	3107	1/4 x 1 1/4 HD Spirol Pin	4244	Rear Wiring Loom
2456	Model Decal (308)	3116	5/16-18 UNC x 1 Carriage Bolt	5005	Discup
2460	Parking Brake Decal	3118	Disc Spring	5015	Sprocket - 24T
2463	Seat (308)	3128	7/16-14 UNC Hex Jam Nut	5019	Transaxle Chain
2465	Rear Tire (16x6.50-8.00)	3129	Plastic Tube Closure	5028	Transaxle Bearing
2466	Rear Rim	3133	#8-32 x 1/2 TR 3 Screw	5036	Pivot Spring
2468	Double Engine Pulley	3134	1/2 -28 x 1/4 Soc. Set Screw	5046	Positive Neutral Rod
2469	Transaxle Drive Belt	3151	#6-32 UNC x 1/2 Rd. Hd. Screw	5050	Positive Neutral Kit
2475	Control Rod	3153	3/8-24 UNF Nut RH Thread	5079	HD Transaxle Pulley
2509	Support Shaft	3156	5/16-18 UNC 2Ax1.125 HH Bolt	5084	Brake Drum
2526	Brake link L	3159	Disc Spring	5085	Brake Band
2527	Brake Link R	3161	5/16-24 UNF Nut LH Thread	5103	Eye Bolt
2532	Spacer 5/16 x 203	3175	4-13 x 1 1/2 HH Bolt	5109	Molded Cone/Keyed
2533	Brake Rod	3180	1/4 -20 Hex Locknut	5110	Cone Frame Shaft
2534	Brake Handle	3181	Woodruff Key #605	5111	Sleeve (fits 5110)
2536	Brake Arm	3182	Flip Lock Bushing	5112	Key Sq. 3/16x1 1/2 (fits 5110)
2538	Brake Arm Stop	3187	#10-32 Hex Nut	5133	Cradle Spring
2550	Transaxle Assembly	3188	#10 Ex. Tooth Lockwasher	5151	Torque Rod Adjuster
2551	Rear Frame Tube	3189	1/2 -13x5 1/2 Carriage Bolt	5153	Cradle
2552	Front Frame Tube	3191	Pop Rivet 5/32.	5156	Cradle Shaft
2555	Torque Rod	3194	Face Nut 5/8-32	5164	Sprocket 9T
2557	Support L	3197	5/8-11 Jam Locknut	5165	Cone Frame
2558	Support R	3198	1/4 -20 Wing Nut w/Nylok	5166	Cone Frame Assembly
2681	Mower Deck Weldment	3199	5/16-18 x 2 1/4 HH Bolt	5170	HO Positive Neutral Spring
2686	Engaging Rod	3204	1/4 -20 Hex Nut w/Nylok	6059	Flat Idler Pulley
2687	Shaft	3205	5/16-18 Hex Nut w/Nylok	6065	Serpentine Idler Spring
2690	Clutch Idler	3206	3/8-16 Hex Nut w/Nylok	6100	Shaft Key
2692	Hub Sub-Assembly	3207	1/2 -13 Hex Nut w/Nylok	6107	Deck Pin
2694	Hub	3208	#10-24 Hex Nut w/Nylok	6113	Blade Wisher
2697	Deflector	3209	1/2 -20 Jam Nut	6159	Stabilizer Arm
2732	Caution Decal			6164	Bronze Bushing
				8502	Caster Axle Kit
				8503	Front Rim
				8539	Wiring Kit



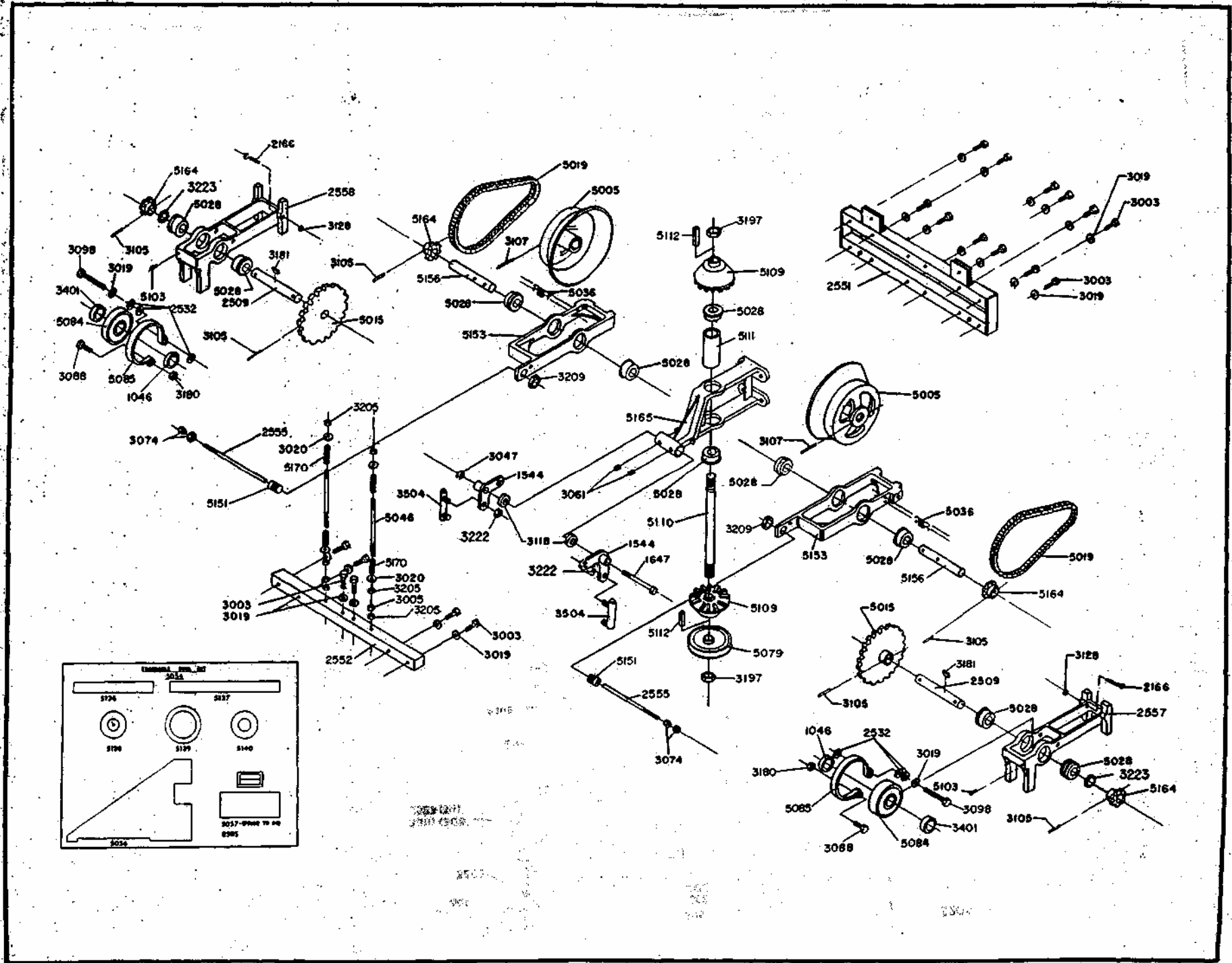
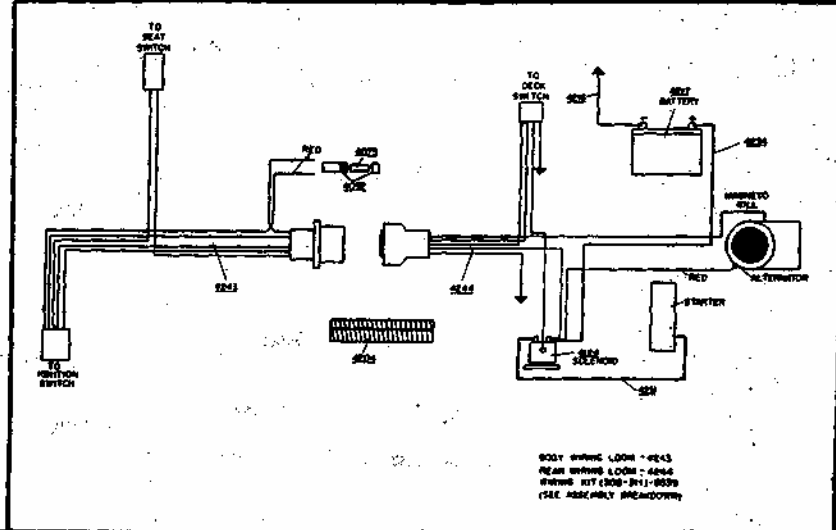
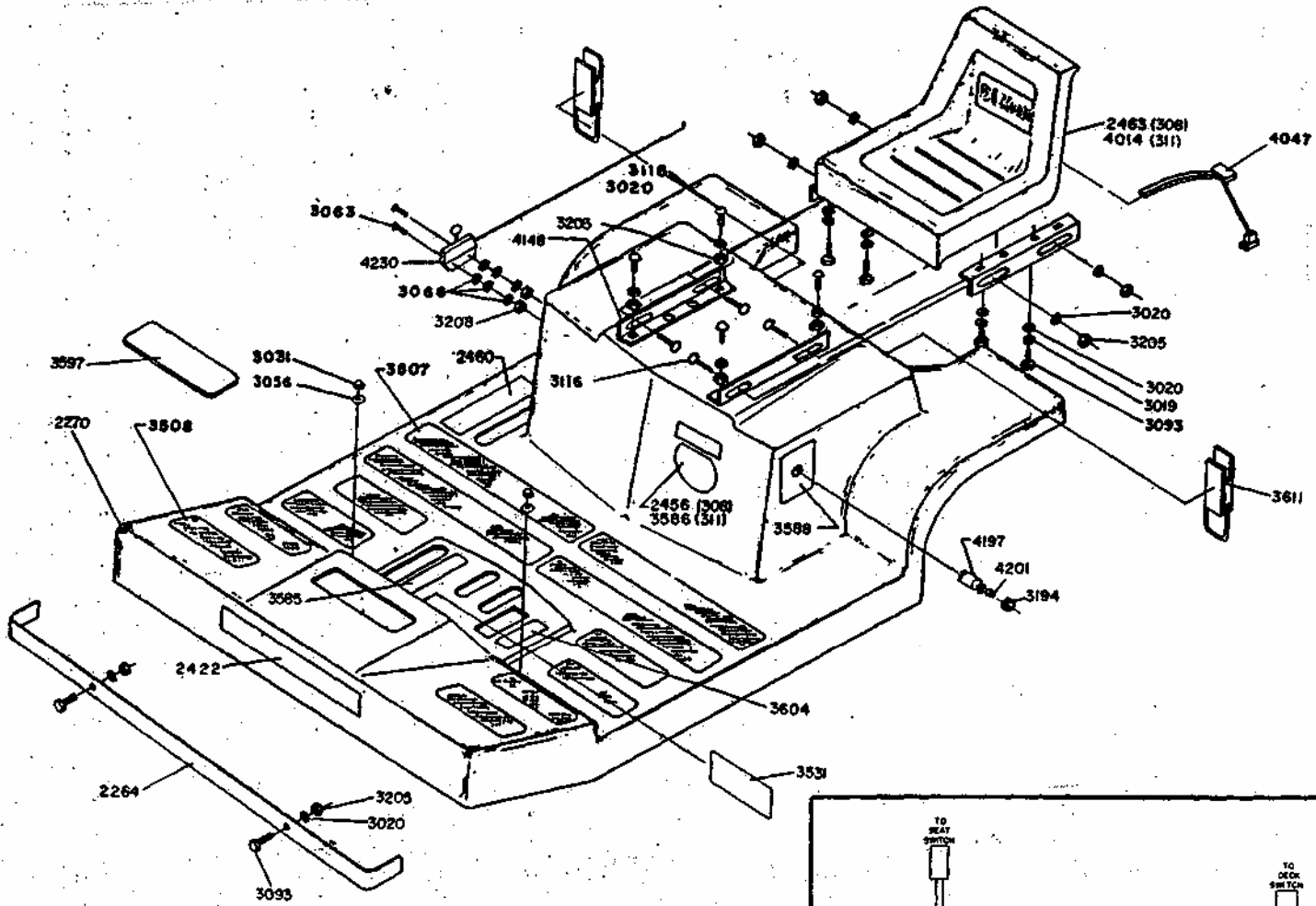


Illustration - Transaxle Assembly (Models ZTR 308 - 311)

Illustration - Body Assembly (Models ZTR 308 - 311)



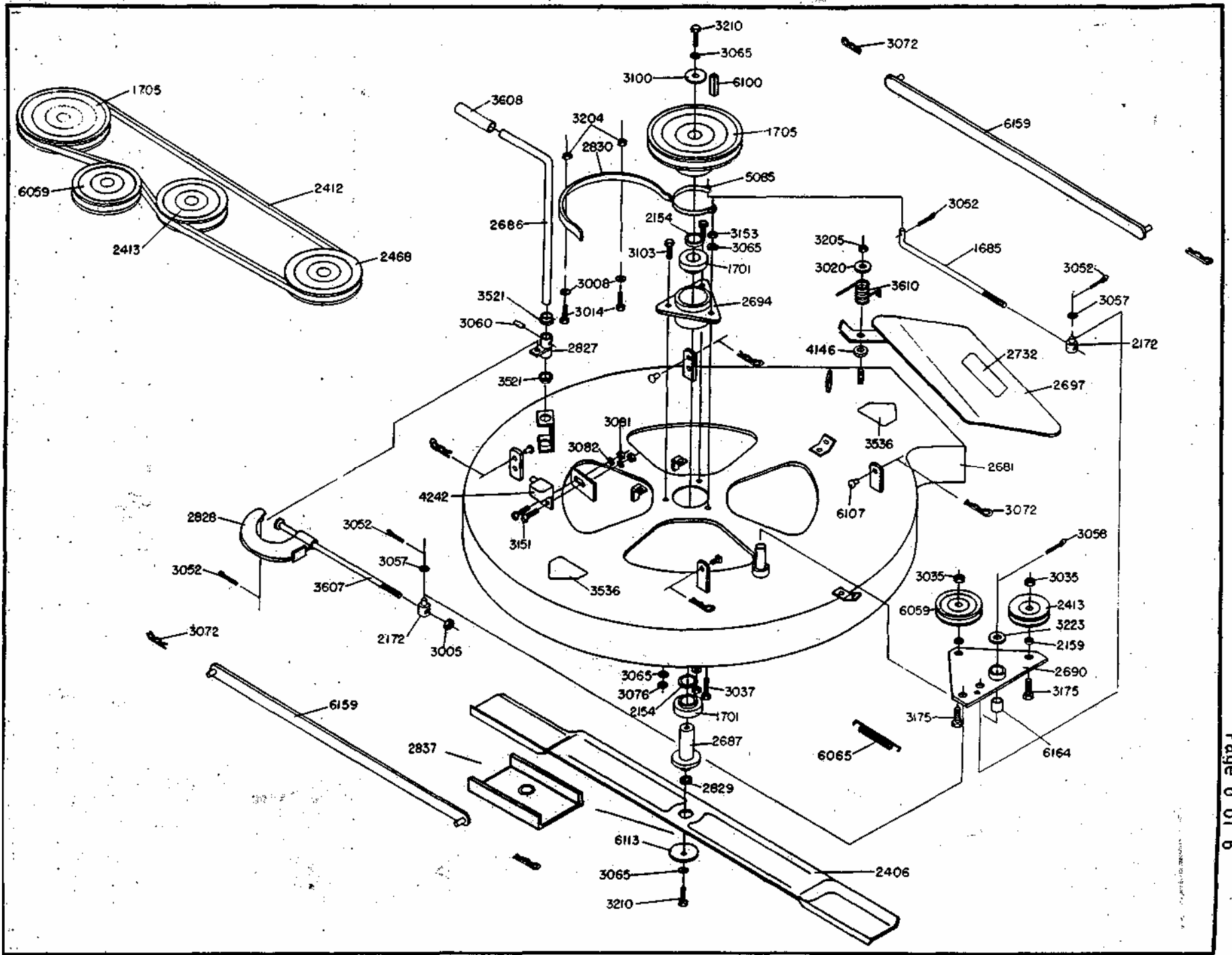


Illustration - Mower Deck Assembly 30" (Models ZTR 308 - 311)